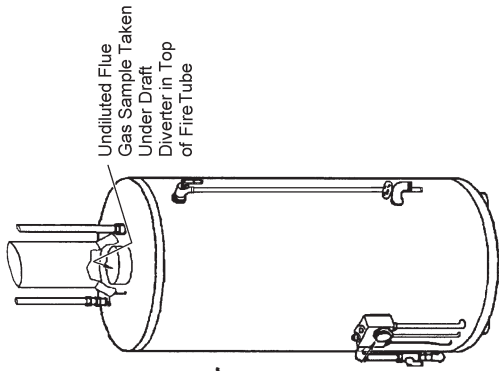
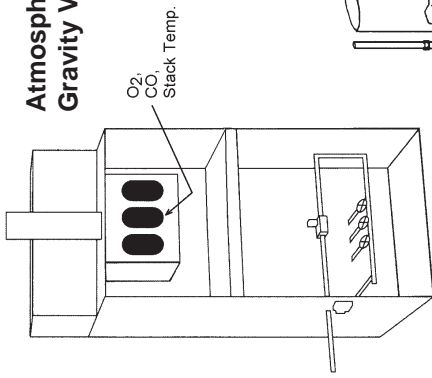


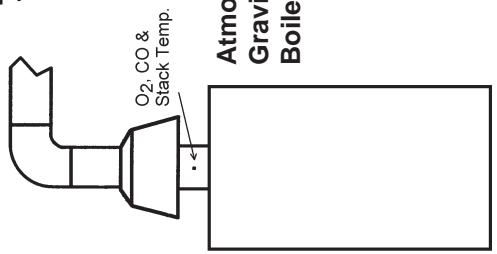
Sampling Locations

Insert the probe in the areas shown in the following illustrations to measure stack temperature, flue-gas O₂ content, and flue-gas CO content (Model 60 only).

Atmospheric Burner or Gravity Vented Forced Air

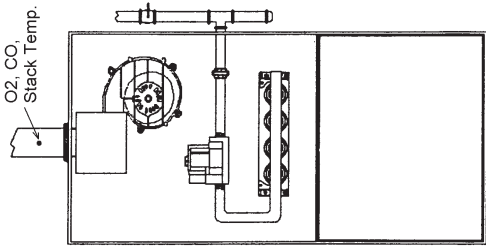


Hot Water Tank

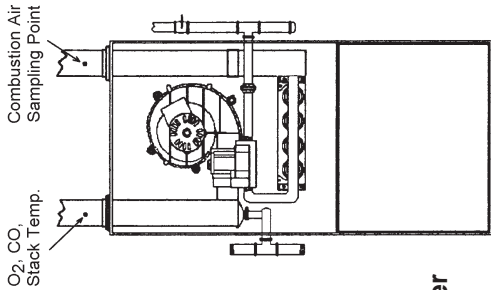


Atmospheric or Gravity Vented Boiler

80% Eff. Fan Assist or Power Vented Furnace/Boiler



90% Eff. Condensing Furnace/Boiler



Fyrite® Tech 50 & 60 Quick Start Guide 0024-9429

Rev. 3 – May 2010

This Guide provides basic information about how to turn ON the analyzer and conduct a combustion efficiency test. Detailed information concerning the analyzer's operation, set up, and calibration is contained in Instruction 24-9428.

Turning ON the Analyzer

1. Place the probe tip in the area that contains the burner's combustion-air source. This step allows the analyzer to measure the combustion-air temperature during the analyzer's warm-up period.
2. Press analyzer's I/O button.
3. Wait for the analyzer to complete its 60 second warm-up period.

Performing a Combustion Test

4. Press the or button to select the desired fuel and then press **ENTER**. The fuel codes are:

F1 = Natural Gas F3 = LPG
 F2 = Oil #2 F4 = Kerosene

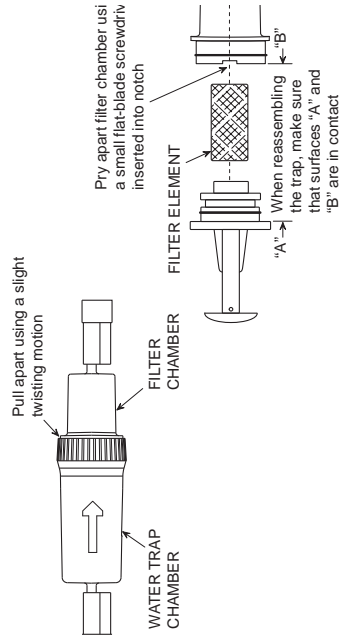


Example: "F1" denotes Natural Gas

Water Trap / Filter Maintenance

Drain the water condensate collected in the water trap after every test.

Replace the filter element (P/N 0007-1644) when dirty.



Bacharach, Inc.

621 Hunt Valley Circle, New Kensington, PA 15068
 Ph: 724-334-5000 • Fax: 724-334-5001 • Toll Free: 800-736-4666
 Website: www.mybacharach.com • E-mail: help@mybacharach.com



- Press the or button to display the "Stack Temperature & Efficiency" Screen.



- Insert probe into the burner's flue-gas stream (see Sampling Locations on Pages 5 and 6).
- Burner-service procedures can now begin. The readings displayed on the analyzer will update continuously, showing the changes in burner performance.
- Use the and buttons to scroll through the analyzer's other screen displays while a test is in progress. (The order in which the screens are displayed is shown on Pages 3 and 4.)
- Press the **HOLD** button to stop the pump and freeze all readings. Press **ENTER** to resume testing.

Ending a Combustion Test

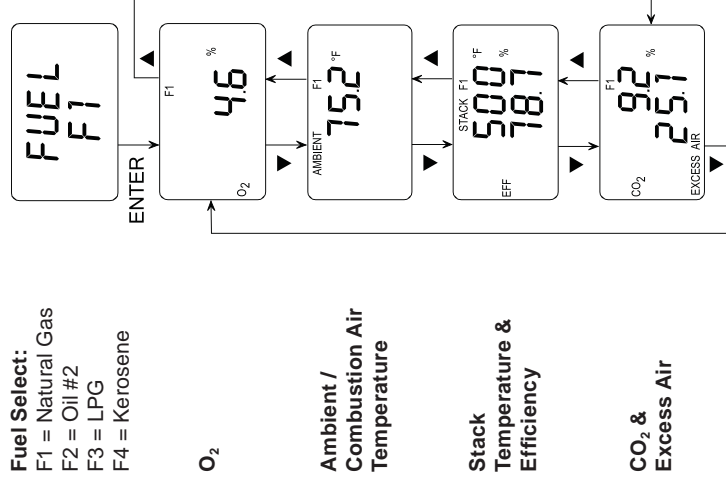
- ⚠ WARNING!** Burn hazard. Do not touch the probe after removing it from the flue-gas stream. Allow the probe to cool before handling (about 5 minutes).
- End a test by first removing the probe from the flue-gas stream, and then allowing the pump to run until the O₂ reading reaches approximately 20.9%.

Turning OFF the Analyzer

- Turn OFF the analyzer by pressing the **I/O** button. There is a 5-second delay before the analyzer actually turns OFF, during which time the unit can be turned back ON by pressing the **ENTER** button.
- A Fyrite Tech 60 will not turn OFF if a high level of CO is still being detected. The pump will remain running and the message "PurG CO" is displayed until the detected CO level drops below 50 ppm. This purge process can be bypassed by again pressing the **I/O** button.

Screen Displays – Fyrite Tech 50

Use the and buttons to scroll through the screens.



Fuel Select:
 F1 = Natural Gas
 F2 = Oil #2
 F3 = LPG
 F4 = Kerosene

O₂

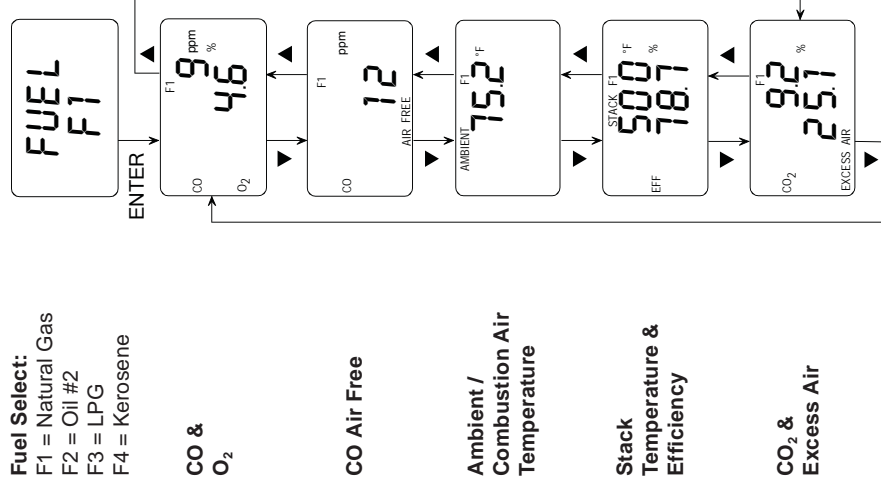
**Ambient /
 Combustion Air
 Temperature**

**Stack
 Temperature &
 Efficiency**

**CO₂ &
 Excess Air**

Screen Displays – Fyrite Tech 60

Use the and buttons to scroll through the screens.



Fuel Select:
 F1 = Natural Gas
 F2 = Oil #2
 F3 = LPG
 F4 = Kerosene

**CO &
 O₂**

CO Air Free

**Ambient /
 Combustion Air
 Temperature**

**Stack
 Temperature &
 Efficiency**

**CO₂ &
 Excess Air**